

Powertune

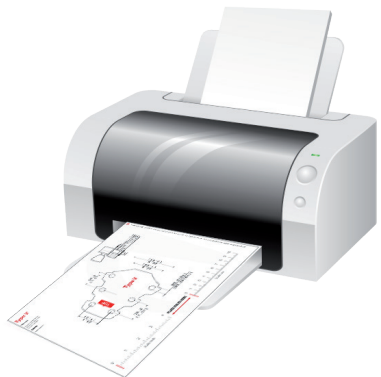
Template Types



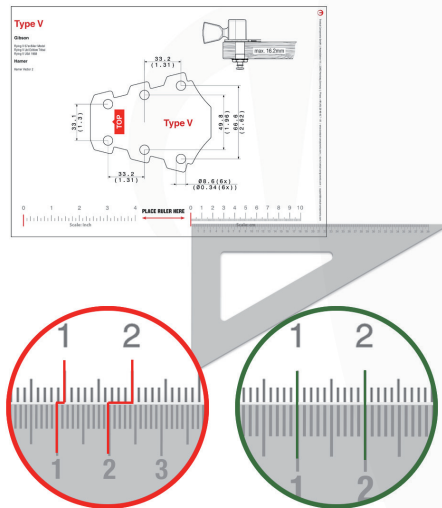
Tronical

1. Printer Settings:

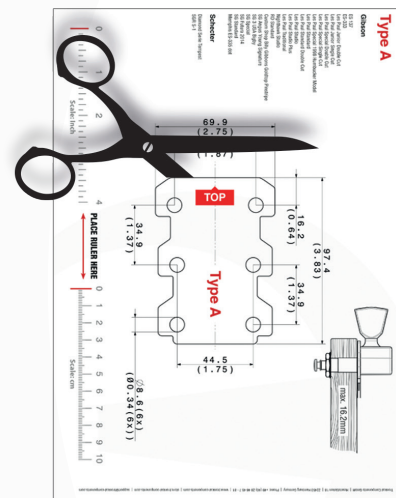
- Size Setting: 100%
- Page Adaption: None
- Page Scaling: None



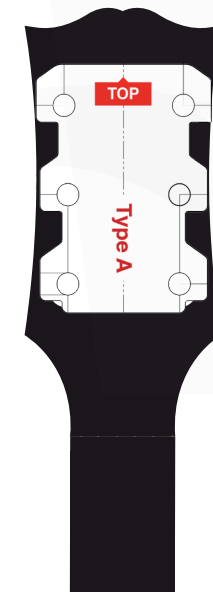
2. Place a ruler onto the printed templates to **check correct printout size**



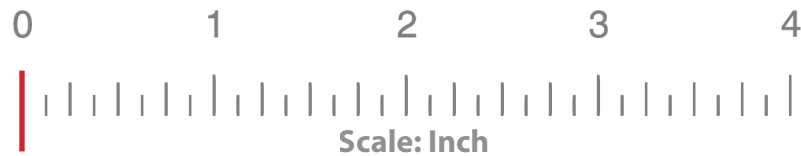
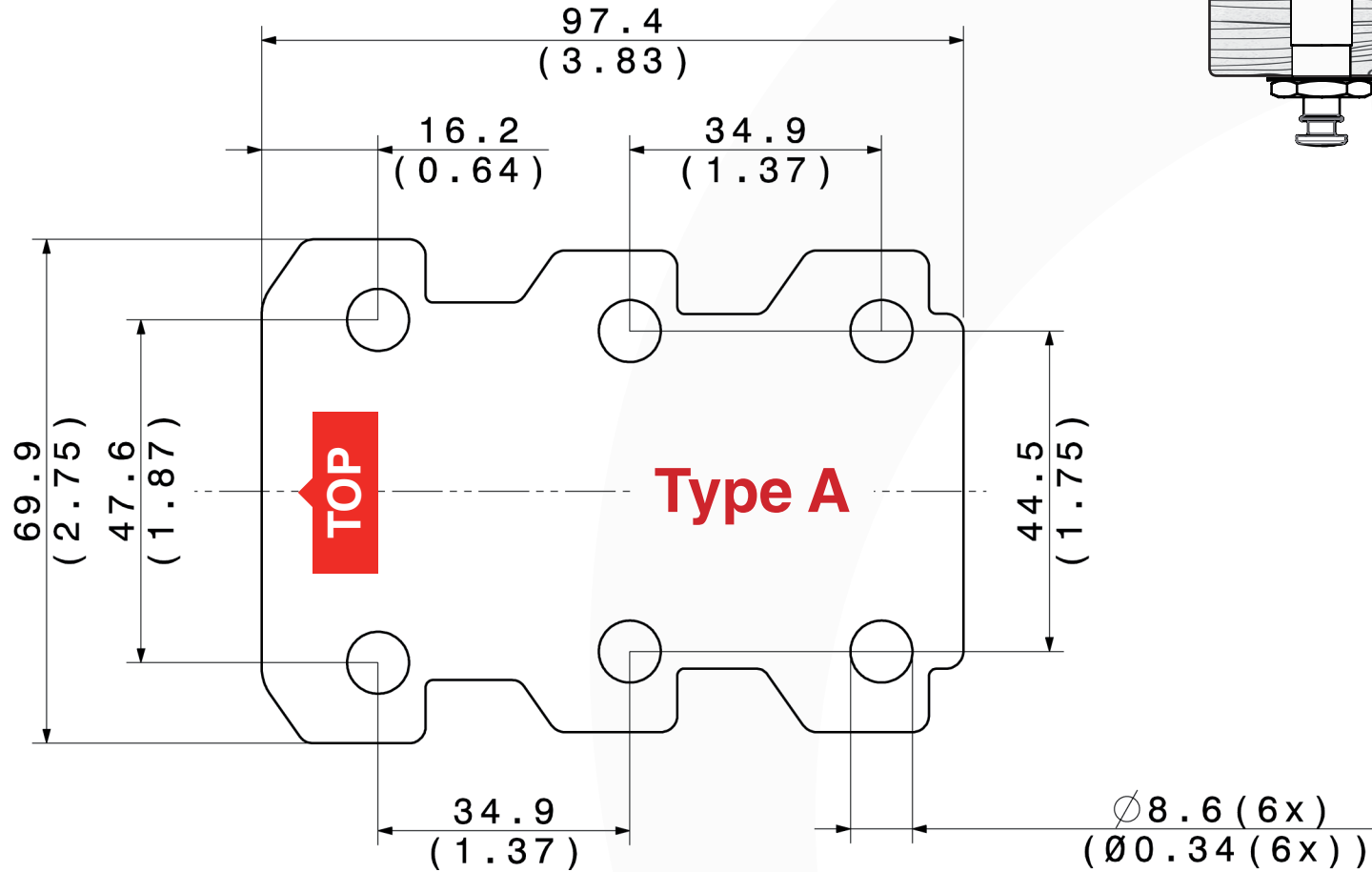
3. Cut-out the templates



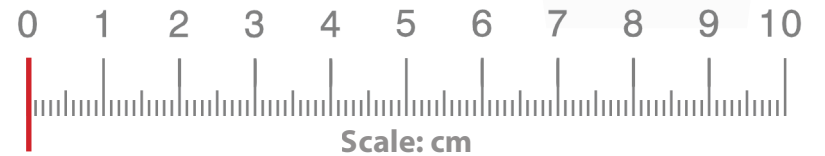
4. Place the templates **on the back** of your guitar headstock. Check if the holes of the template are congruent to the holes of your guitar. When they are congruent you identified the template that fits your guitar. Enter this type during the order process.



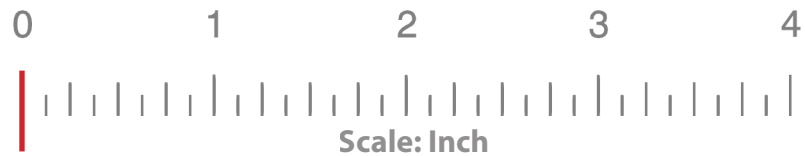
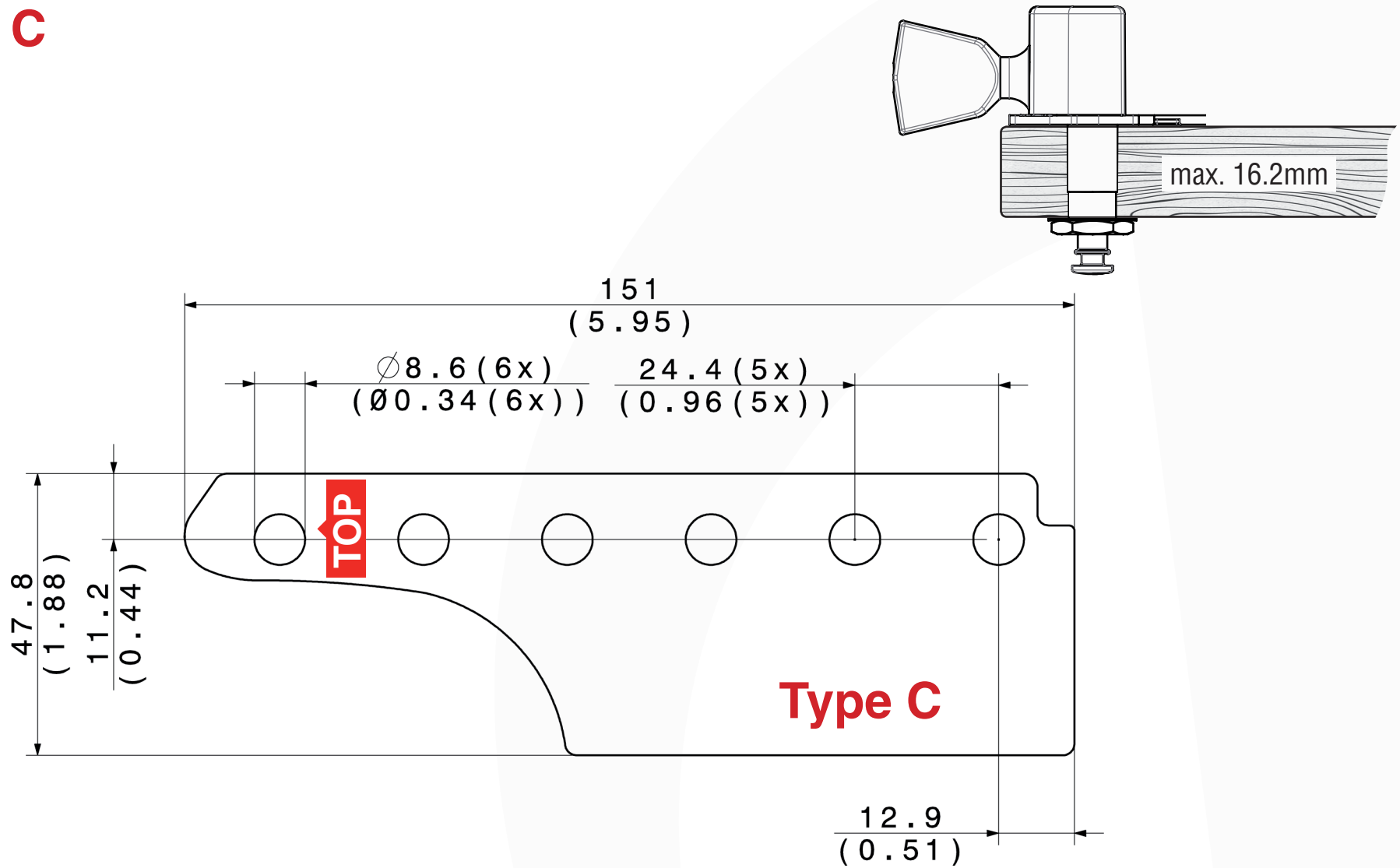
Type A



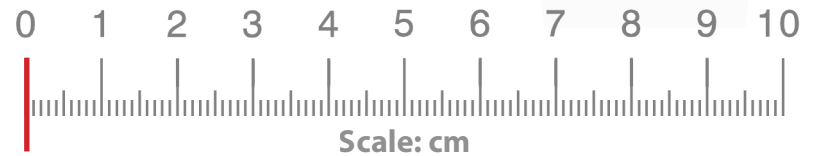
PLACE RULER HERE



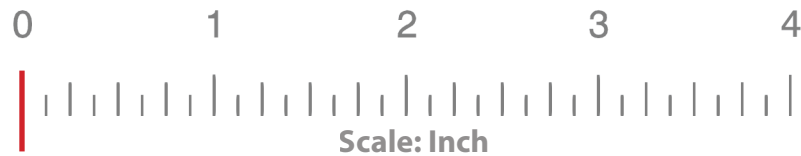
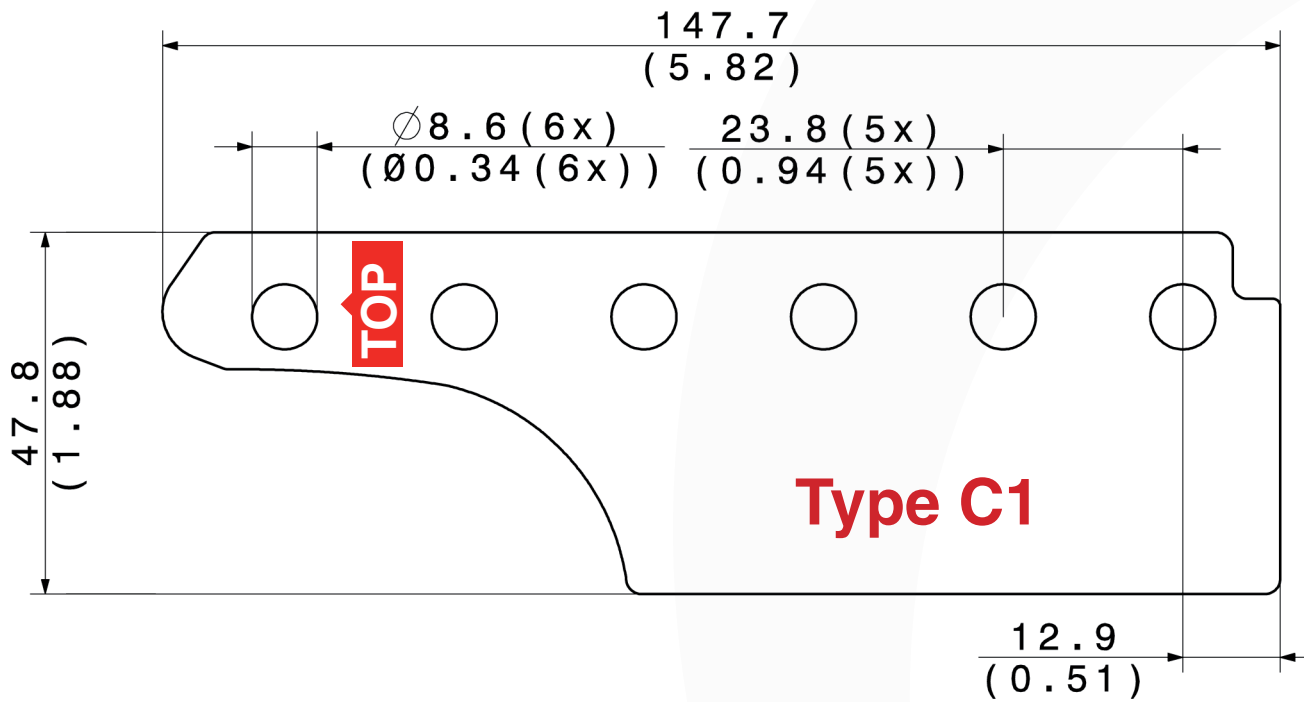
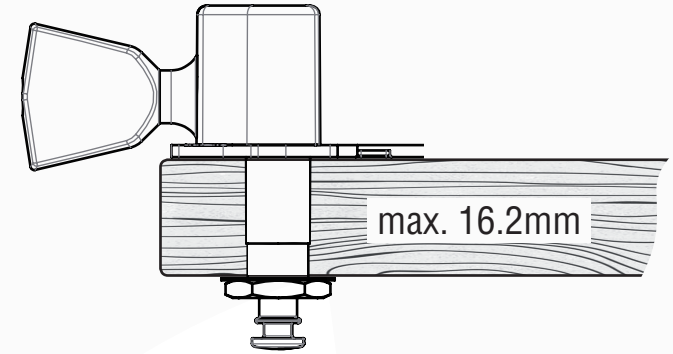
Type C



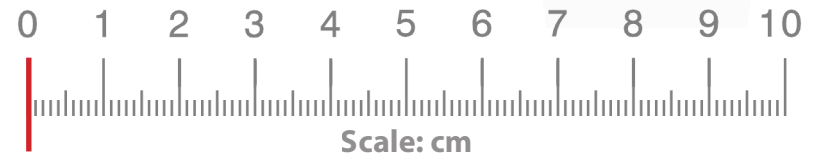
PLACE RULER HERE



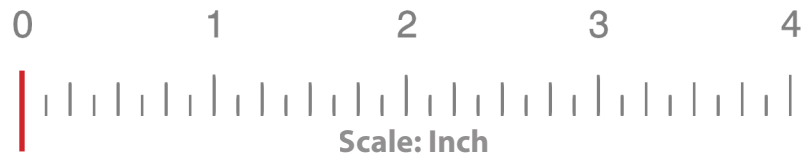
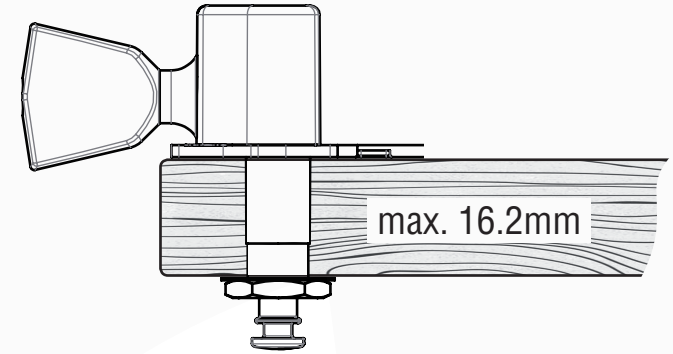
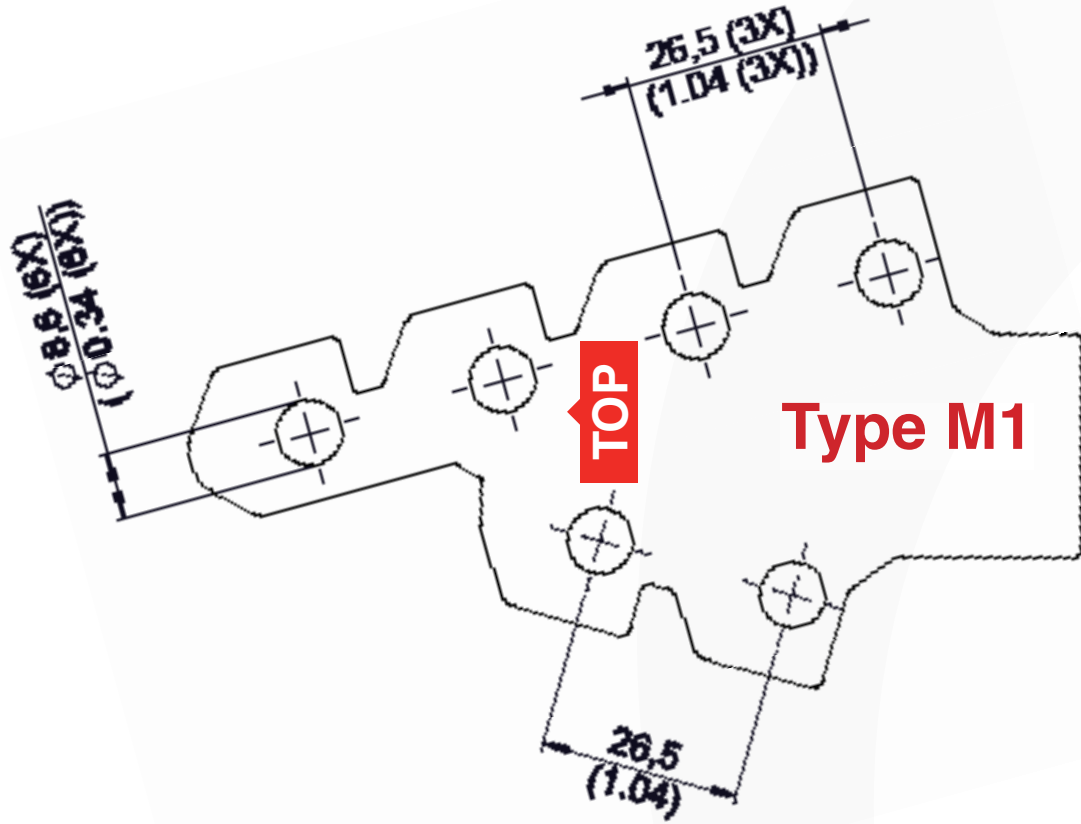
Type C1



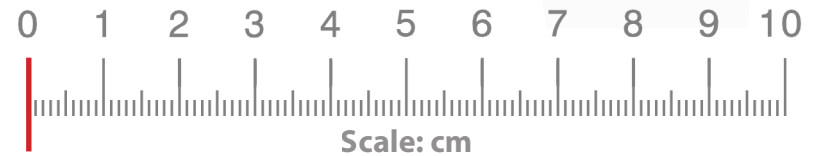
PLACE RULER HERE



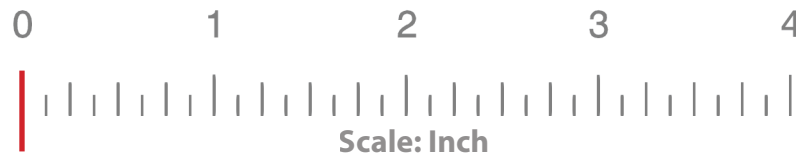
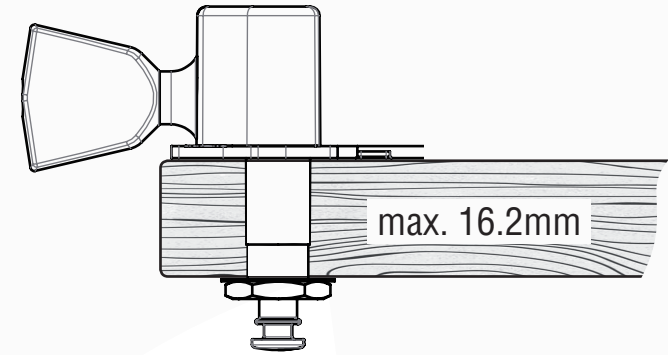
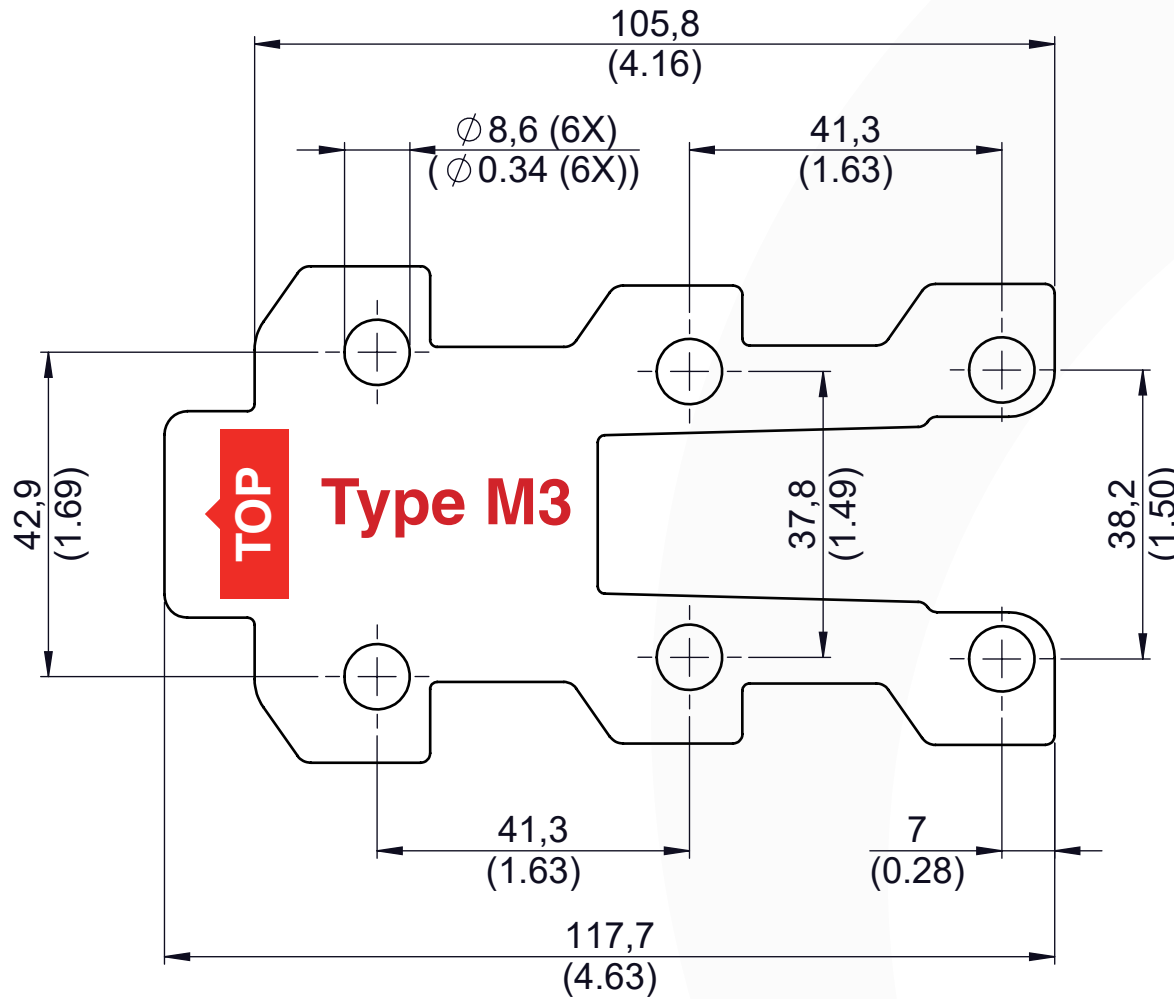
Type M1



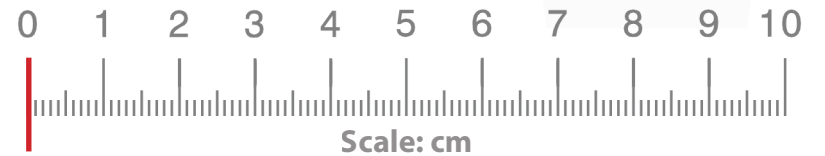
PLACE RULER HERE



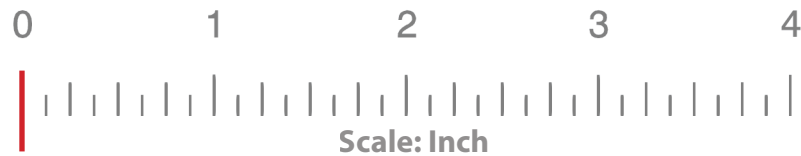
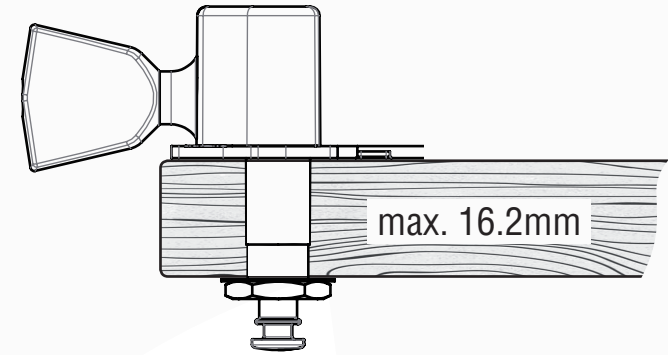
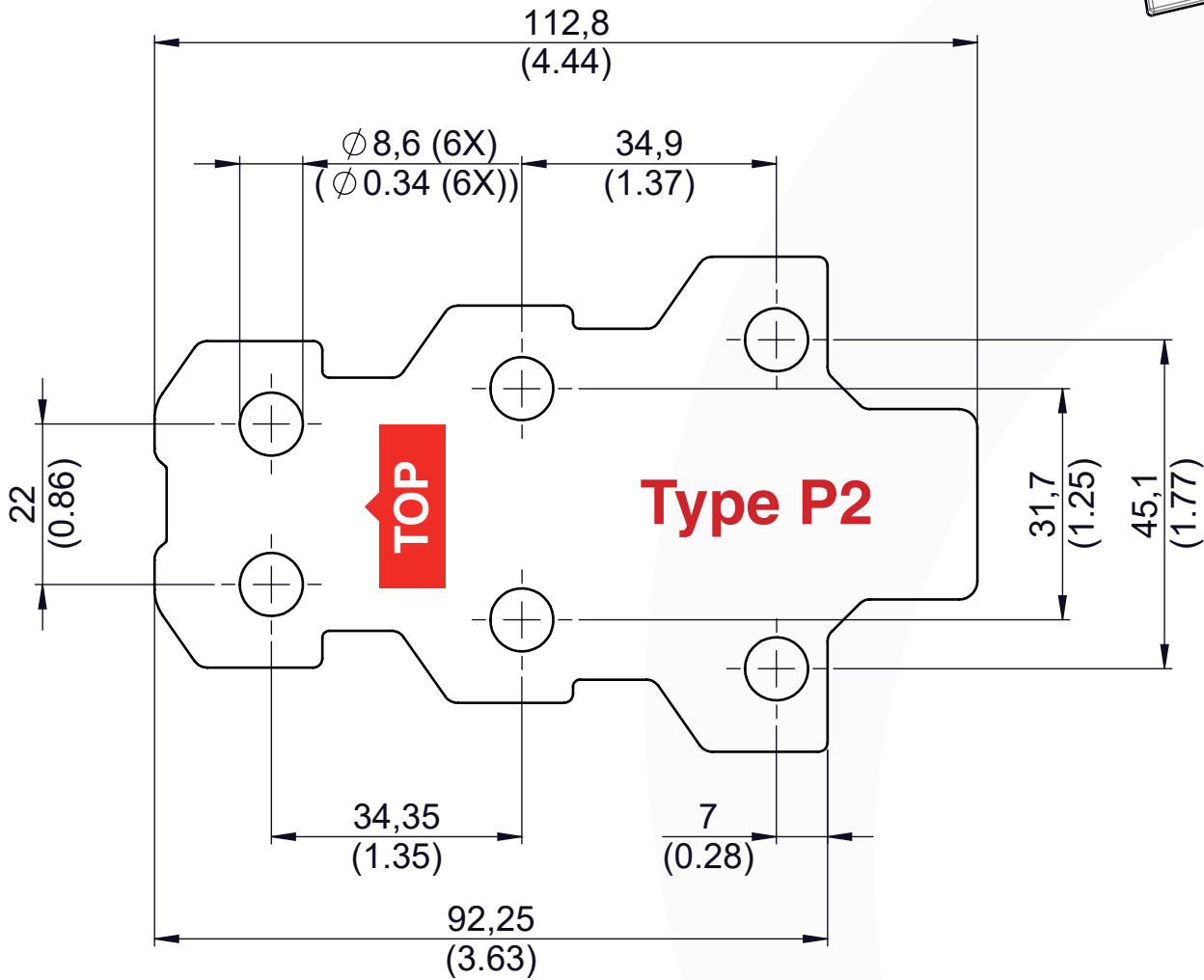
Type M3



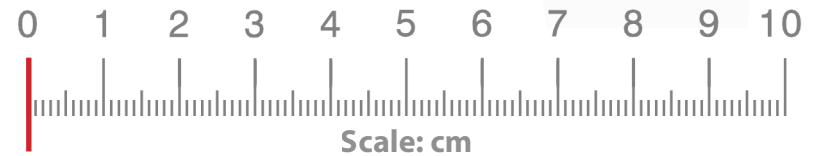
PLACE RULER HERE



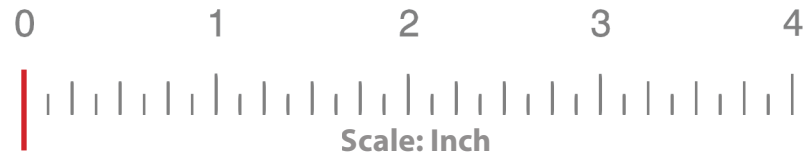
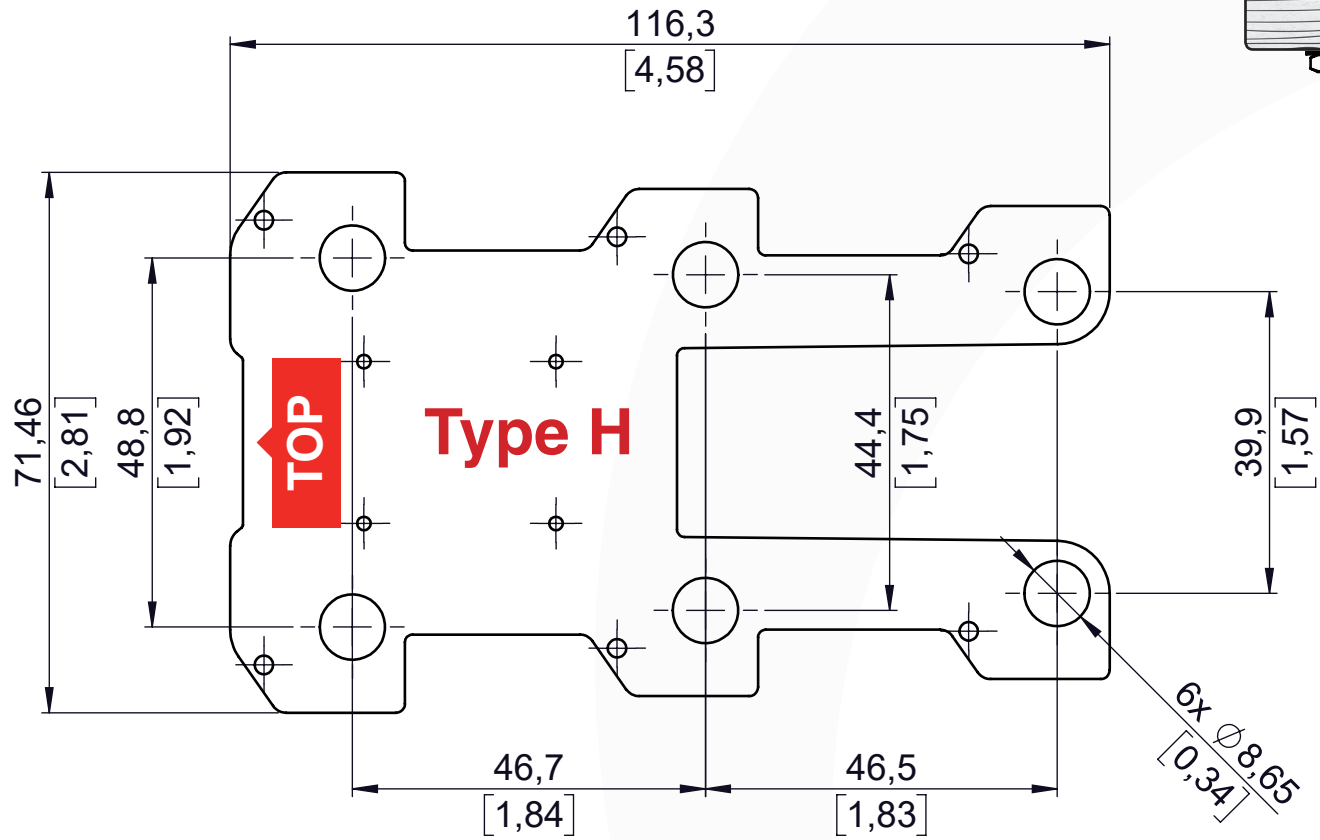
Type P2



PLACE RULER HERE



Type H



PLACE RULER HERE

